

NIRON COMPRESSION FITTINGS

Submittal Information • Revision A: December 1, 2015

PROJECT INFORMATION

Job Name/Location: _____

Engineer: _____ Date Submitted: _____

Contractor: _____ Submitted By: _____

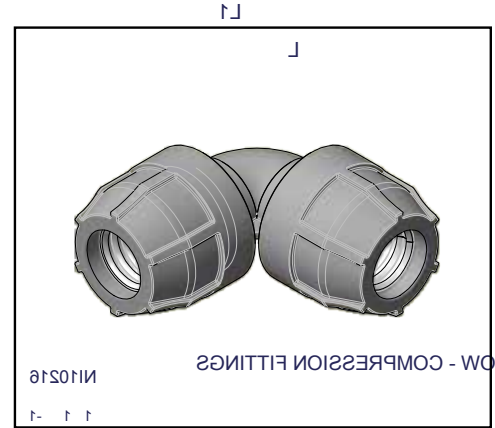
Manufacturer's Rep.: _____ Approved By: _____

TECHNICAL DATA

Material:	PP-RCT (beta crystalline random copolymer polypropylene)
Standard Grade Hydrostatic	150 psi up to 100°F
1/2" through 2"	90 psi up to 160°F
2-1/2" through 4"	90 psi up to 140°F

PRODUCT INFORMATION AND APPLICATION USE

Niron Compression Fittings are designed to be joined by means of the compression joining technique in accordance with ASTM F2389. Fittings are manufactured with coarse threads on each side which tighten the fitting to secure an internal EPDM o-ring. The dimensions of the fittings and sockets are in accordance with the requirements of ASTM F2389. The fittings may be disassembled and resused at a later date. They are very handy for quick repair situations. Fittings are injection molded and are solid grey in color.



DESCRIPTION	SIZES	PART NUMBER PREFIX
<input type="checkbox"/> 90° Elbows	1/2", 3/4", 1", 1 1/4", 1 1/2", 2", 2 1/2", 3", 4"	03NKG
<input type="checkbox"/> Tees	1/2", 3/4", 1", 1 1/4", 1 1/2", 2", 2 1/2", 3", 4"	03NKT
<input type="checkbox"/> Couplings	1/2", 3/4", 1", 1 1/4", 1 1/2", 2", 2 1/2", 3", 4"	03NKMAM
<input type="checkbox"/> Reducers	3/4"x1/2", 1"x1/2", 1"x3/4", 1 1/4"x3/4", 1 1/4"x1", 2 1/2"x1", 1 1/2"x1 1/4", 2"x1", 2"x1 1/4", 2"x1 1/2", 2 1/2"x 1 1/2", 2 1/2"x 2", 3"x2", 3"x 2 1/2", 4"x3"	03NKR

LISTINGS	CODES	STANDARDS	CONTACT INFO
uNSF-14; ANSI/NSF-61; ICC-ES; UPS	ICC; IPC; IMC; UPC; UMC; NSPC; HUD; NPC of Canada; NBC of Canada	ANSI/NSF 14; ANSI/NSF 61; ASTM F2389; ASTM F2023; CSA B137.11; ASTM E-84; CAN/ULC S102.2	Nupi Americas, Inc. 1511 Superior Way Houston, TX 77039 Phone: 281-590-4471 Fax: 281-590-5268 www.nupiamericas.com