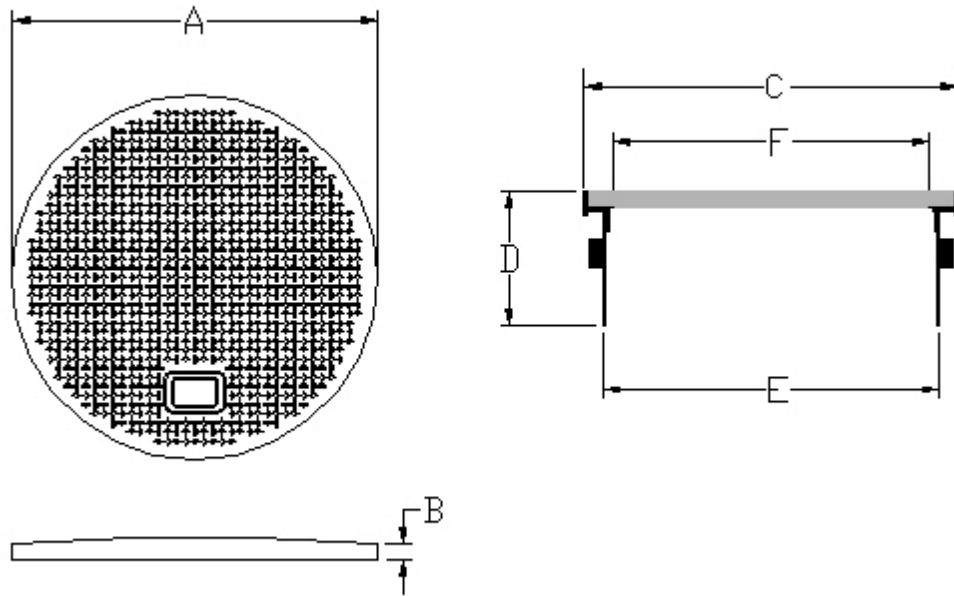


MANHOLE COVERS
INSTALLATION INSTRUCTIONS

When installing a NUPIGECO Composite Manhole the few following precautions and guidelines have to be followed to ensure a proper installation.



- Care has to be taken during transport, handling and moving.
- Covers and ring/skirt must always be stored assembled.
- Visual inspection has always to be performed to verify the integrity of the product before installation.
- The lid and the ring/skirt must stay assembled during the concrete/blacktop pouring process.
- To prevent water infiltration, the use of ¼", ½" runoff slope measuring 1ft, from the outer ring of the manhole, is recommended.
- State and Local construction requirement and guidelines must always be followed when pouring pea gravel and concrete.



Dimensions for composite manhole cover lids (using legend above)

	A		B		C		D		E		F	
	IN	MM	IN	MM	IN	MM	IN	MM	IN	MM	IN	MM
24" Cover	25.63"	650	*1.00"	25	26.38"	670	10.50"	280	24"	592	22.05"	560
38" Cover	39.00"	990	*1.00"	25	40.00"	1010	10.50"	280	37"	934	35.50"	918
42" Cover	43.937"	1110	*1.00"	25	44.75"	1138	10.50"	280	42.00"	1065	40.25"	1054





NUPIGECO S.p.A.

Via dell'Artigianato, 13 – 40023 Castel Guelfo di Bologna (BO) – Italy
Phone ++39 0331 344211 – Fax ++39 0542 670851
E-mail: info@nupigeco.com - Web Site: www.nupigeco.com

NUPI AMERICAS, Inc.
1511 Superior Way – Houston, TX 77039
Phone +1 281 5904471 – Fax +1 832 2018537
E-mail: info@nupiamericas.com - Web Site: www.nupiamericas.com